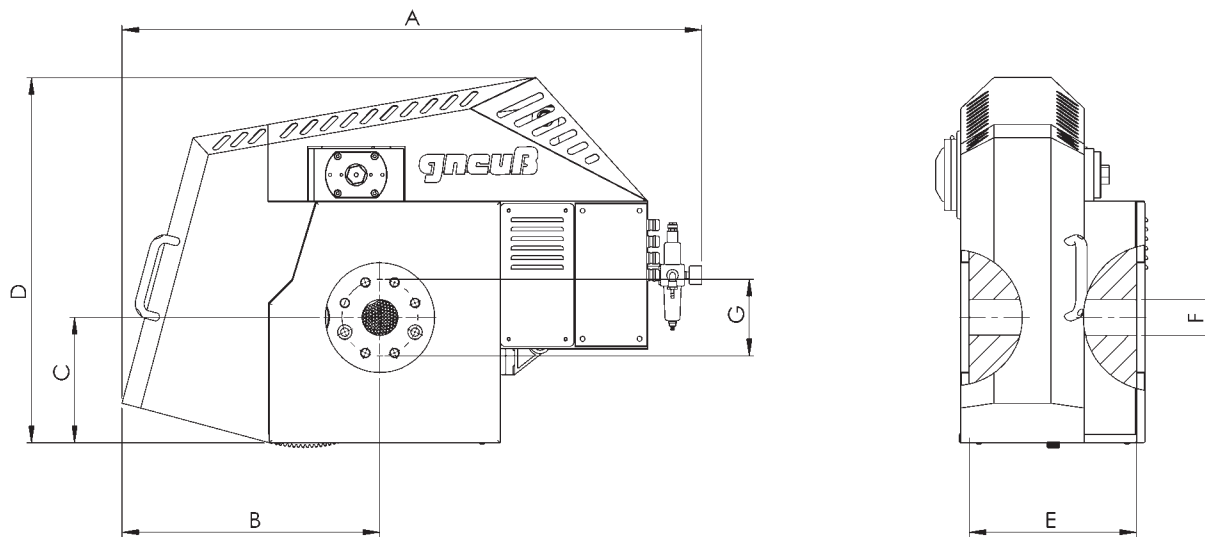


Technical Data SF Series



Subject to modifications.

filter type	screen area	heating capacity in watt		heater zones (1)	pressure in psi max. (2)	temp. in °F max. (3)	Q in lbs/h (4)	dimensions in inches							weight in lbs
		electric	liquid					A	B	C	D	E	F ⁽⁵⁾	G	
SF 30	1.2	1200	1870	2	7100	600	90	18.1	6.1	9.8	3.5	3.7	0.6	3.5	70
SF 45	3	1900	2730	2	7100	600	260	22.0	8.3	13.2	5.1	5.4	0.8	4.7	170
SF 60	5.5	2240	3690	2	7100	600	480	26.4	10.6	16.5	5.9	6.8	0.8	5.5	250
SF 75	7	5860	8580	2	7100	600	680	28.3	11.4	17.3	6.7	8.9	1.0	6.9	480
SF 90	11	7300	10140	2	5000	600	1200	35.4	15.6	22.8	8.7	12.6	1.2	8.7	1000
SF 130	21	8000	10760	2	5000	600	2000	37.4	17.0	24.8	9.6	13.9	1.2	8.7	1200
SF 150	28	8000	10760	2	5000	600	3100	37.4	17.0	24.8	9.6	13.9	1.4	8.7	1200
SF 175	39	12000	16380	3	5000	600	4600	43.3	21.7	37.0	12.0	15.7	1.6	12.2	2600
SF 200	50	-	28000	-	4300	600	6300	47.2	25.0	45.3	14.2	17.5	1.8	12.6	3700
SF 250	78	-	32000	-	3600	600	9000	51.2	27.2	46.1	15.7	21.5	2.0	14.6	5100

(1) = 1 heater zone for liquid heating.

(2) = High pressure versions available as an option.

(3) = Up to 750 °F possible as an option.

(4) = Based on: MFI 2-5, filtration fineness 200 microns and differential pressure 725 psi.

(5) = The dimension „F“ can be freely chosen, the values given are minimum values.